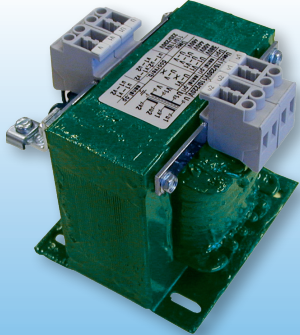


1-PHASE TRANSFORMERS FOR INDUSTRIAL APPLICATION



INFORMATION

The Wesemann universal single phase transformers for industrial application are especially suitable for use in control boxes/cabinets.

The transformers are built according the highest standards, comply with the NEN-EN-IEC61558 and usable in an ambient temperature of max 40degr. Celsius.

The transformers are vacuum impregnated (VPI) with a special environment friendly coating.

The transformers vary from a rated output power between 50VA and 400VA.

CONNECTION

U _{pri}	connect. pri	connect.	
230 V	U1 - V2	V1 - U2	
115 V	U1 - V1	U1 - U2 V1 - V2	
	connect. sec	connect.	
24 V	u1 - v2	v1 - u2	
12 V	u1 - v1	u1 - u2 v1 - v2	

UNIVERSAL INDUSTRIAL TRANSFORMERS

GENERAL SPECIFICATIONS

AMBIENT TEMP.	PROTECTION	FREQUENCY	PRIMARY	SECONDARY
max. 40 °C	IP00	50/60 Hz	115 + 115 Volt	12 + 12 Volt

TECHNICAL SPECIFICATIONS

ART.NR.	POWER	CORE TYPE	Dimensions (in mm)						
			a	b	c	d	e	f	g
21001831	50 VA	EI 84/29	84	83	88	71	46	5,50	2
21001832	63 VA	EI 84/29	84	83	88	71	46	5,50	2
21001833	100 VA	EI 84/43	84	97	88	71	60	5,50	3,4
21001834	160 VA	EI 105/37	105	91	104	80	57	5,50	4,2
21001835	250 VA	EI 120/41	120	95	116	100	66	5,50	5,7
21001836	400 VA	EI 120/53	120	107	116	100	66	5,50	6,2

CONNECTION

U _{pri}	connect. pri		
400 V	U1 - V		
230 V	V1 - V		
	connect. sec	connect.	
230 V	u1 - v2	v1 - u2	
115 V	u1 - v1	u1 - u2 v1 - v2	

UNIVERSAL INDUSTRIAL TRANSFORMERS

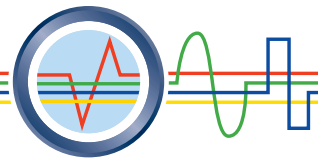
GENERAL SPECIFICATIONS

AMBIENT TEMP.	PROTECTION	FREQUENCY	PRIMARY	SECONDARY
max. 40 °C	IP00	50/60 Hz	230 - 400 Volt	115 + 115 Volt

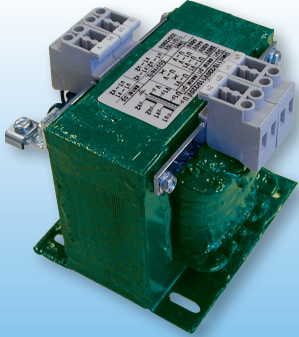
TECHNICAL SPECIFICATIONS

ART.NR.	POWER	CORE TYPE	Dimensions (in mm)						
			a	b	c	d	e	f	g
21001837	50 VA	EI 84/29	84	83	88	71	46	5,50	1,2
21001838	63 VA	EI 84/43	84	97	88	71	60	5,50	1,8
21001839	100 VA	EI 96/35	96	89	98	80	52	5,50	2
21001840	160 VA	EI 105/45	105	99	104	80	65	5,50	3,4
21001841	250 VA	EI 120/53	120	107	116	100	78	5,50	5,7
21001842	400 VA	EI 120/73	120	127	116	100	98	5,50	6,2

1-PHASE TRANSFORMERS FOR INDUSTRIAL APPLICATION



ELEKTROTECHNIK
Wesemann



DESCRIPTION

- According to NEN-EN-IEC 61558-2-1 rules
- Vacuum impregnation (tropical)
- Terminals cadmium free



CONNECTION

U _{pri}	connect. pri.		
400 V	U1 - V		
230 V	V1 - V		
U _{sec}	connect. sec.	connect.	
24 V	u1 - v2	v1 - u2	
12 V	u1 - v1	u1 - u2 v1 - v2	

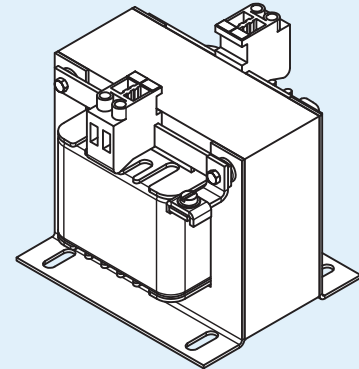
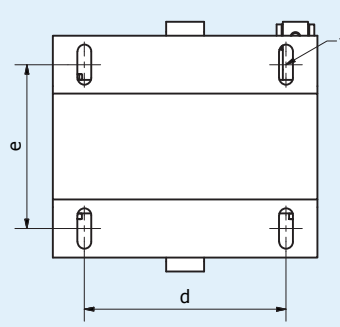
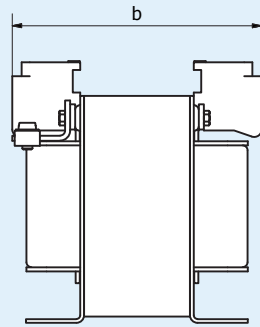
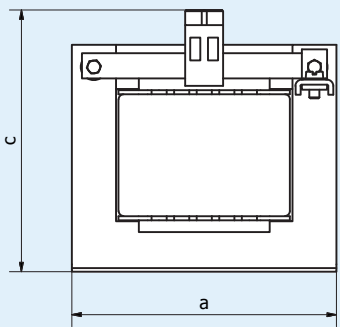
UNIVERSAL INDUSTRIAL TRANSFORMERS

GENERAL SPECIFICATIONS

AMBIENT TEMP.	PROTECTION	FREQUENCY	PRIMARY	SECONDARY
max. 40 °C	IP00	50/60 Hz	230 - 400 Volt	12 + 12 Volt

TECHNICAL SPECIFICATIONS

ART.NR.	POWER	CORE TYPE	Dimensions (in mm)						
			a	b	c	d	e	f	g
21001852	50 VA	EI 84/29	84	83	88	71	46	5,50	1,2
21001853	63 VA	EI 84/43	84	97	88	71	60	5,50	1,8
21001854	100 VA	EI 96/35	96	89	98	80	52	5,50	2
21001855	160 VA	EI 105/45	105	99	104	80	65	5,50	3,4
21001856	250 VA	EI 120/53	120	107	116	100	78	5,50	5,7
21001857	400 VA	EI 120/73	120	127	116	100	98	5,50	6,2



Wesemann is specialized in the design and manufacturing of power supplies and transformer systems. Wesemann is ISO 9001:2008 accredited by Lloyds Register's Quality Assurance.

Droogbloem 31
NL-3068 AW Rotterdam
PO Box: 81005
NL-3009 GA Rotterdam

Phone: +31 (0)10 286 2000
Fax: +31 (0)10 286 2005
E-mail: sales@wesemann.eu
Website: www.wesemann.eu

